

# Specification

Lithium Polymer Battery Pack LP653450 2P 3.7V 2400mAh with Protection Circuit Module (PCM)  
 This data sheet describes the requirements and properties of lithium polymer rechargeable battery pack manufactured by LiPol Battery Co., Ltd - China

## Mechanical Characteristics

- Cell ▶ LP653450
- PCM ▶ Yes
- NTC ▶ 10K 1% @ +25C B3435
- Configuration ▶ 1S2P
- Weight ▶ appr.50g

## Electrical Specification

- Rated Capacity ▶ 2400mAh min, 2400mAh typ.
- Nominal Voltage ▶ 3.7V
- Wat-Hour Rating ▶ 8.88Wh
- Max. Operating Voltage Range ▶ 2.75V to 4.20V
- Max. Charge Voltage ▶ 4.2V ± 50mV
- Max. Charge Current ▶ 1200mA
- Max. Continuous Discharge Current ▶ 2400mA
- Discharge Cut Off ▶ 2.75V
- Internal Impedance ▶ <120mΩ
- Expected Cycle Life @ (0.5C/0.5C) @ 23±5°C ▶ 500 cycles ≥ 80%

## Cell Protection

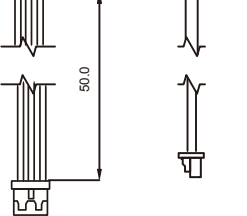
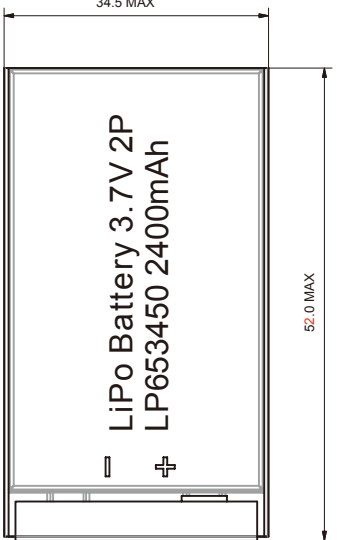
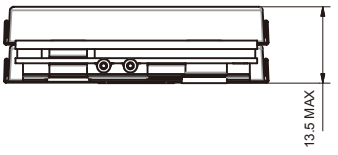
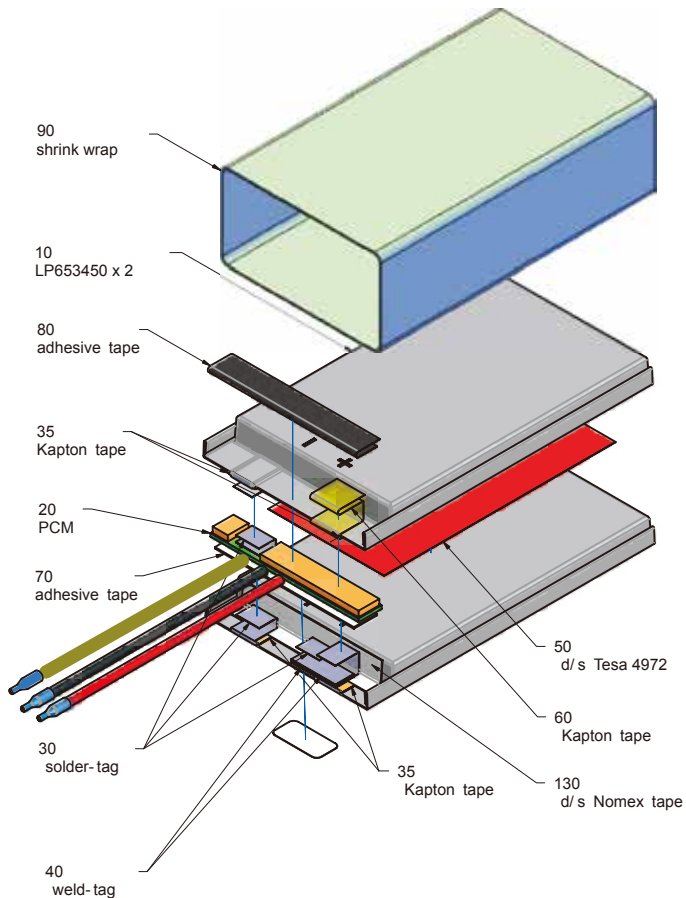
- Overcharge Detection ▶ 4.275 ±50mV (0.7 to 1.3sec. delay, release 4.275V ±50mV)
- Overdischarge Detection ▶ 2.75V ±50mV (14 to 26msec. delay, resume 2.50V ±50mV)
- Overcurrent Detection ▶ 4A to 4.5A (8 to 16msec. delay)

## Ambient Conditions

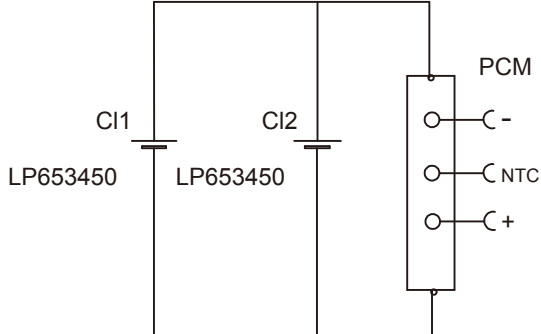
- Charge Temp. Range ▶ 0 to +45°C
- Discharge Temp. Range ▶ -20 to +60°C
- Storage Temp. Range ▶ 1 year at -20 to +30°C >70%
- ▶ 3 months at -20 to +45°C >70%
- ▶ 1 month at -20 to +60°C >70%
- Humidity ▶ 65 ±20%RH

## Environmental and Safety

Please follow LiPol Handling and Safety Precautions for Lithium Polymer Battery. This battery meets the requirements of Battery Directives, and the battery parts are IEC62133-2-2017 & RoHS-Compliant. For more safety precautions and performance standards, please go to [www.lipolbattery.com/support.html](http://www.lipolbattery.com/support.html)



Circuit diagram



Projection: 	Diese Mae werden besonders gepruft This dimensions are considered inspectable		Material 6645165 6332	
Mae in mm All dimensions in mm	Freimatoleranzen Generaltolerances	Date 26.08.2021	Name Xie Qingfang	<b>+ Enerforce Battery</b>
Als Betriebsgeheimnis anvertraut, alle Rechte vorbehalten.	up to 6 : 0,1 over 6 up to 30 : 0,2	Bearb./Desig. 26.08.2021	Guo Daxia	
Proprietary data, company confidential, all rights reserved.	over 30 up to 100 : 0,3 over 100 : 0,5	Benennung/ Designation LP653450 2P		
		Origin:	3	Zchg. / Dwg. Nr. FD_3450_65
		www.LiPolBattery.com		support@lipolbattery.com